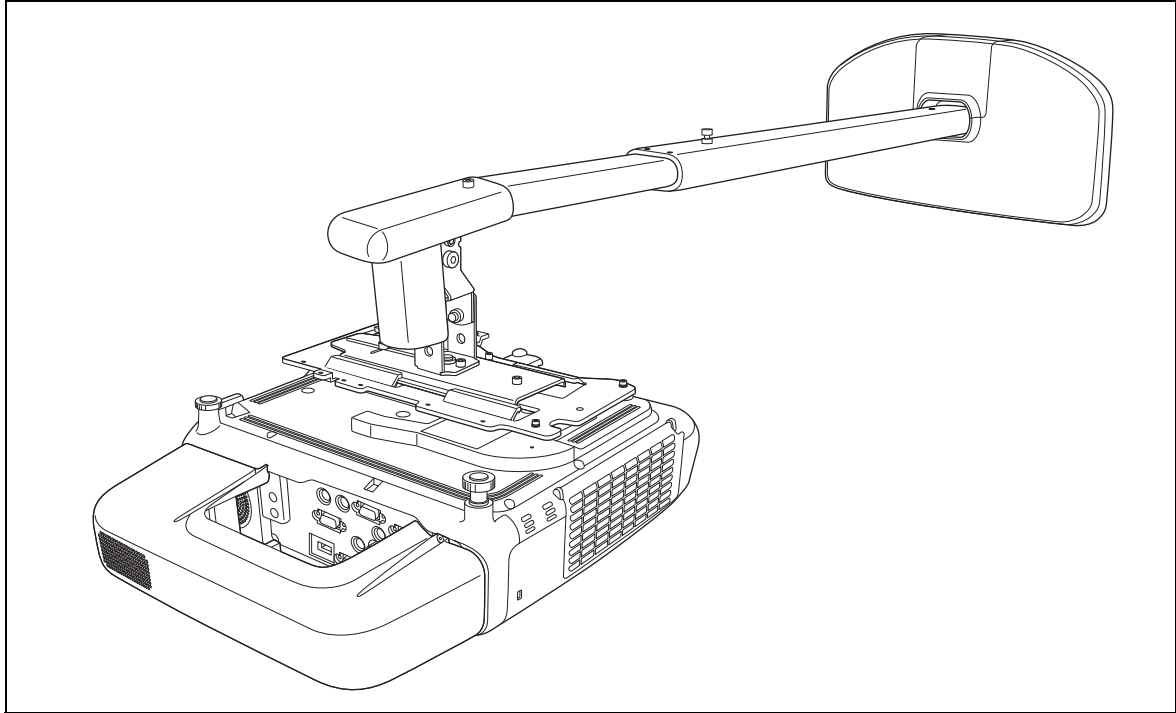


ELPMB45



Short Throw Projector Wall Mount Installation Manual



Safety Instructions



Before using the wall mount, make sure you read all of the safety instructions below and then save this manual for later reference. Incomplete or incorrect installation could cause damage to the product or result in personal injury or property damage. Keep this installation manual at hand for later reference.

For additional information, see the *User's Guide* and *Safety Instructions* included with your projector.











Explanation of Symbols

The warning symbols shown below are used throughout this installation manual to prevent the possibility of personal injury or property damage. Make sure you understand these warnings when reading this installation manual.

 Warning	Warnings indicate information that, if ignored, could possibly result in personal injury or even death due to incorrect handling.
 Caution	Cautions indicate information that, if ignored, could possibly result in personal injury or physical damage due to incorrect handling.

	Symbol indicating an action that must not be done
	Symbol indicating an action that should be done

Safety Precautions for Installation

 Warning	
The wall mount weighs approximately 11 kg. To prevent injury, handle the mount carefully.	
This product is meant for mounting the projector and optional accessories only. Do not attach anything heavier than the projector and optional accessories to the product. Doing so could cause the product to fall and cause personal injury or property damage.	
Installation of the product on the wall should be performed by at least two qualified technicians using only approved mounting equipment. Incomplete or incorrect installation could cause the product to fall and cause personal injury or property damage. For additional help, contact the customer support office listed in the projector's <i>User's Guide</i>.	
Make sure you follow the instructions in this guide to install the wall mount. Otherwise, the wall mount may fall and result in personal injury or property damage.	
Turn off the projector when installing the mount to avoid fire or electric shock.	
Handle the power cord carefully to avoid fire or electric shock. Observe the following precautions when handling: <ul style="list-style-type: none"> • Do not handle the cord with wet hands. • Do not use a cord that is damaged or modified. • Do not pull the cord with too much force when routing it through the arm unit. 	
When installing the product, do not hold on to the cable cover to position the mount. Doing so could cause the cable cover to detach, resulting in personal injury or property damage.	
When you mount the projector on the wall with the wall mount, the wall requires enough strength to hold the projector, the wall mount, and cables. This wall mount should be installed on a concrete wall. Confirm the weight of the projector, the wall mount, and cables before installation, and maintain the strength of the wall. If the wall is not strong enough, reinforce the wall before installation.	
Do not install the product in a location where it might be exposed to vibration or shock, which could cause damage to the projector or mounting surface. It could also cause the product to fall, resulting in personal injury or property damage.	

! Warning

<p>Install the mount firmly to hold the weight of the projector and the mount, and to resist horizontal vibration. Use M8 nuts and bolts.</p> <p>Otherwise, the projector or wall mount may fall and cause personal injury or property damage. Epson accepts no responsibility for any damage or injury caused by lack of wall strength or inadequate installation.</p>	!
<p>If you need to loosen any screws while installing, be careful not to drop the projector or the mount.</p> <p>If the projector or the mount falls, it could cause personal injury or property damage.</p>	!
<p>Do not use the mount when damaged and confirm on a regular basis that there are no damaged parts.</p>	⊘
<p>Never modify the mount.</p>	⊘
<p>Do not hang on the mount or hang a heavy object on it.</p> <p>If the mount or the projector falls, it could cause personal injury or property damage.</p>	⊘
<p>Stop using the mount and contact Epson Customer Service if any of the following occur:</p> <ul style="list-style-type: none"> • The mount is dropped or damaged during installation. • The arm unit detaches from the wall or falls. 	!
<p>If you apply adhesives to prevent the screws from loosening, or if you use lubricants or oils on the wall mount plate fixing points, the housing may crack and cause the projector to fall, resulting in personal injury or property damage. Do not use adhesives, lubricants or oils to install or adjust the mount.</p>	⊘
<p>Tighten all screws firmly after adjustment.</p> <p>Otherwise, the projector or wall mount may fall and cause personal injury or property damage.</p>	!
<p>Never loosen the bolts and nuts after installation. Confirm on a regular basis that the screws have not become loose. If you find any loose screws, tighten them firmly.</p> <p>Otherwise, the projector or wall mount may fall and cause personal injury or property damage.</p>	⊘

! Caution

<p>Install the product in a location free from humidity and dust to prevent the projector's lens and optical components from becoming dirty.</p>	!
<p>Do not install the product in a location where the operating temperature of the projector might be exceeded.</p> <p>Otherwise, damage may result.</p>	⊘
<p>Do not install the product in a location where there is excessive humidity or dust, near cooking or heating appliances, or in a location exposed to smoke or steam.</p> <p>Fire or electric shock may result.</p>	⊘
<p>Do not use excessive force when adjusting the product.</p> <p>Using too much force could result in personal injury or property damage.</p>	⊘

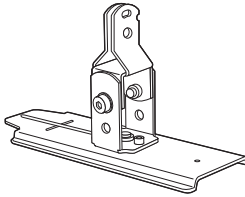
Before Use

This product is used for mounting Epson short throw projectors to a wall.

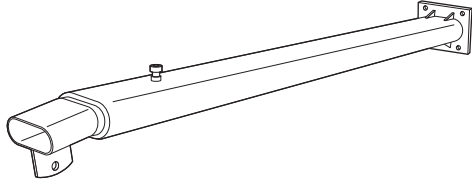
Choosing a Location

- Determine where you will install the wall mount and prepare the location in advance. Also, make sure there is a gap of 410 to 660 mm from the top of the image projected onto the white board to the ceiling. See "Screen Size and Projection Distance" on page 7 for more details.
- Do not install the product in a location where it might be exposed to vibration or shock, which could cause damage to the projector or mounting surface. It could also cause the product to fall, resulting in serious injury or death.
- Install the product in a location away from direct sunlight and other electric devices such as fluorescent lights or air conditioning. Direct sunlight and some kinds of fluorescent lights could interfere with the remote control of the projector.
- It is recommended to keep connection cable length less than 20 meters to reduce the external noise.

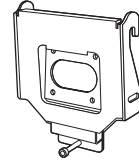
Package Contents



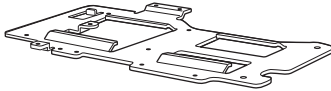
Adjustment unit



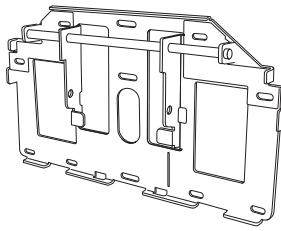
Arm unit



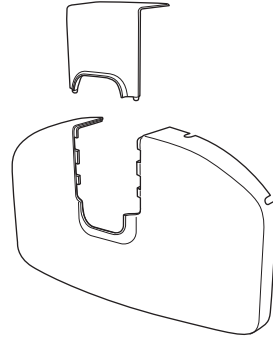
Arm plate



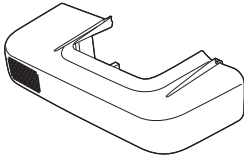
Projector plate



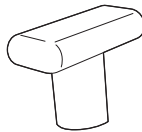
Wall plate



Wall plate cover



Cable cover



Arm cover



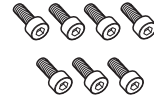
M4 x 12 mm hexagon socket head cap bolt with washer (x1)



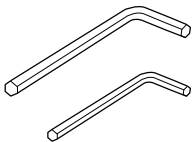
M4 x 12 mm hexagon socket head cap bolts without washers (x6)



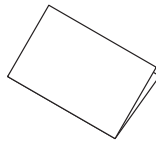
M4 x 12 mm hexagon socket head cap bolts with washers / spring washers (x5)



M8 x 16 mm hexagon socket head cap bolts without washers (x7)



Hexagonal wrenches (M4 and M8)



Installation Manual (this guide)



Document CD-ROM

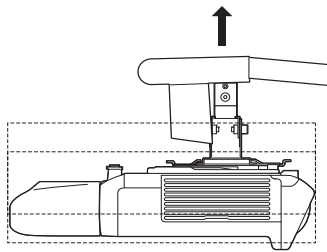
- Use only the supplied bolts to install the wall mount. Do not substitute these bolts with any other types.
- You need to use commercially available M8 x 60 mm anchors (at least 3) to attach the wall plate to the wall.
- Gather the tools and parts you need before you begin installation.

Specifications

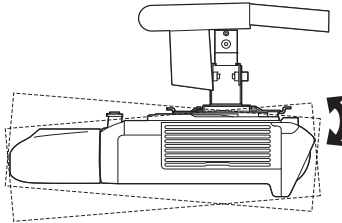
Weight	Approx. 11 kg
Maximum load capacity	5.5 kg
Arm length	1000 to 1510 mm (from wall plate attachment point to arm cover point)
Vertical slide adjustment range	0 to 134 mm (arm length minimum) 0 to 230 mm (arm length maximum)
Vertical tilt adjustment range	-7 to 17° (arm length minimum) -17 to 7° (arm length maximum)
Horizontal rotation adjustment range	± 5°
Horizontal roll adjustment range	± 5°
Horizontal slide adjustment range	± 45 mm

⚠ Caution

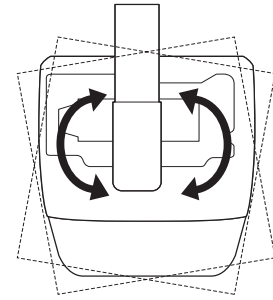
Keystone correction cannot be performed correctly if you setup the projector outside the projector usage range. Check the range in which correction can be performed in the *User's Guide* supplied with the projector.



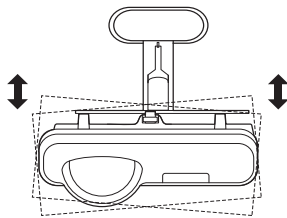
Vertical slide adjustment



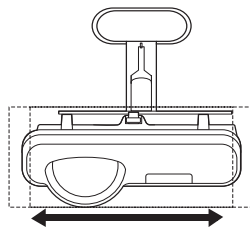
Vertical tilt adjustment



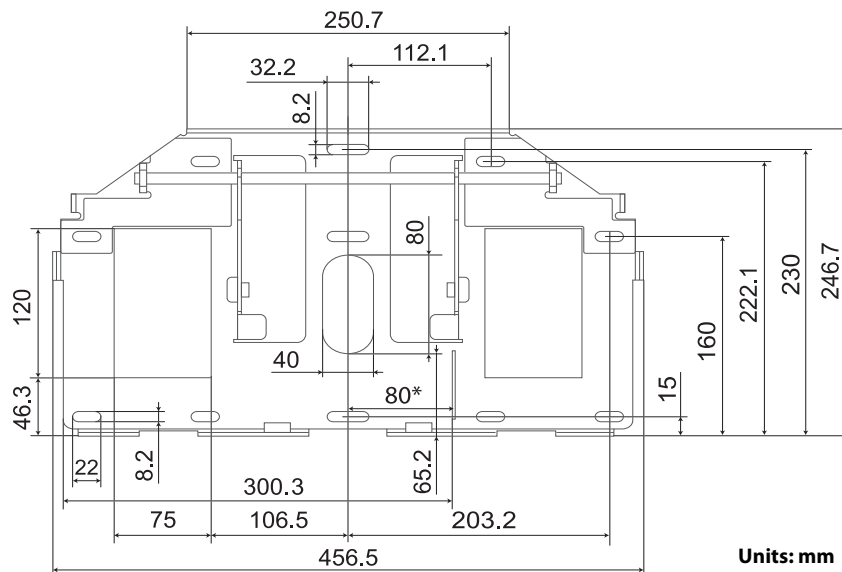
Horizontal rotation adjustment



Horizontal roll adjustment



Horizontal slide adjustment



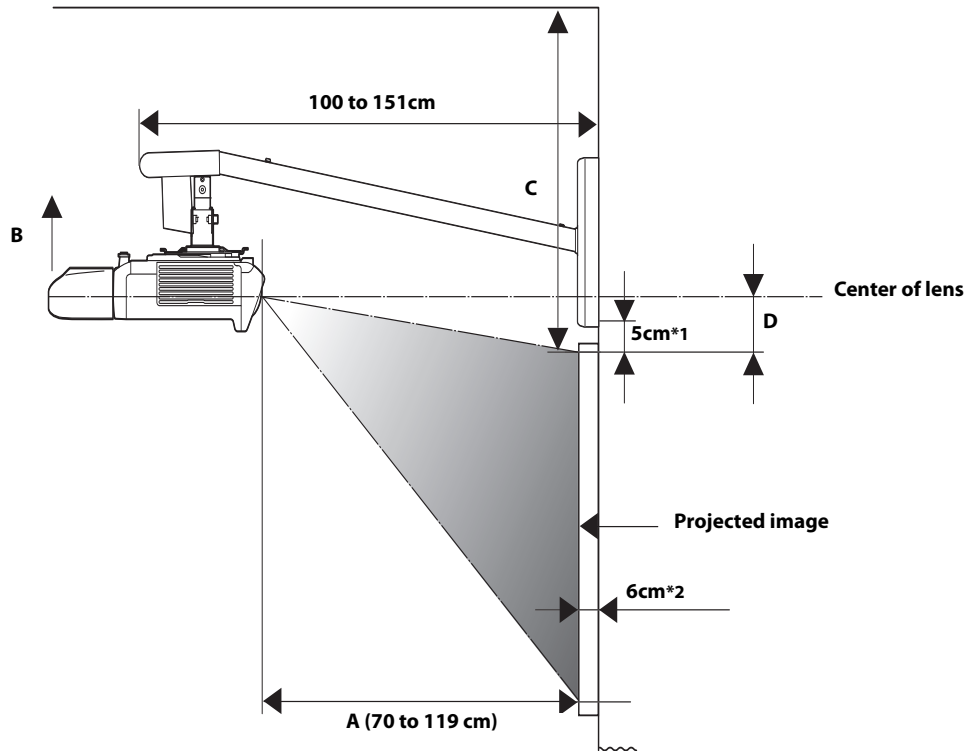
Units: mm

*Offset value for the center of the projection screen and the center of the wall plate

Screen Size and Projection Distance

Refer to the tables on the following pages and install the mount and projector to project images at the appropriate size. The values are only a guide.

The recommended projection distance (A) is 70 to 119 cm.



*1 Allow at least 5 cm space between the top of the image projected onto the whiteboard and the bottom of the wall plate.

*2 The thickness of the whiteboard should be no more than 6 cm. (The values in the projection distance table are based on a whiteboard with a thickness of 6 cm.)

∞ WXGA projectors: EB-536Wi/EB-535W/EB-525W and others

Units: cm

Screen size	16:10 WXGA				16:9 Widescreen				4:3 XGA			
	Projection distance (A) Minimum (Wide)	Vertical slide adjustment (B)	Distance from top of projected image to ceiling (C)	Distance from top of projected image to center of lens (D)	Projection distance (A) Minimum (Wide)	Vertical slide adjustment (B)	Distance from top of projected image to ceiling (C)	Distance from top of projected image to center of lens (D)	Projection distance (A) Minimum (Wide)	Vertical slide adjustment (B)	Distance from top of projected image to ceiling (C)	Distance from top of projected image to center of lens (D)
60"	-	-	-	-	-	-	-	-	70	4	43	11
61"	-	-	-	-	-	-	-	-	71	5	44	11
62"	-	-	-	-	-	-	-	-	72	5	44	11
63"	-	-	-	-	-	-	-	-	74	5	44	11
64"	-	-	-	-	-	-	-	-	75	5	44	11
65"	-	-	-	-	-	-	-	-	76	5	44	12
66"	-	-	-	-	70	9	48	15	77	5	45	12
67"	-	-	-	-	71	10	49	16	79	5	45	12
68"	70	4	43	11	72	10	49	16	80	5	45	12
69"	71	5	44	11	73	10	49	16	81	5	45	12
70"	72	5	44	11	74	10	49	16	82	5	45	13
71"	73	5	44	11	75	10	50	16	83	5	46	13
72"	74	5	44	11	77	10	50	17	85	5	46	13
73"	75	5	44	12	78	10	50	17	86	5	46	13
74"	77	5	45	12	79	10	50	17	87	6	46	13
75"	78	5	45	12	80	10	50	17	88	6	46	13
76"	79	5	45	12	81	11	51	18	90	6	47	14
77"	80	5	45	12	82	11	51	18	91	6	47	14
78"	81	5	45	12	83	11	51	18	92	6	47	14
79"	82	5	45	12	84	11	51	18	93	6	47	14
80"	83	5	46	13	85	11	52	19	94	6	47	14
81"	84	5	46	13	87	11	52	19	96	6	47	15
82"	85	6	46	13	88	11	52	19	97	6	47	15
83"	86	6	46	13	89	11	52	19	98	6	47	15
84"	87	6	46	13	90	11	53	19	99	6	47	15
85"	88	6	46	13	91	12	53	20	101	6	48	15
86"	90	6	47	14	92	12	53	20	102	6	49	15
87"	91	6	47	14	93	12	53	20	103	6	49	16
88"	92	6	47	14	94	12	53	20	104	7	49	16
89"	93	6	47	14	95	12	54	21	105	7	49	16
90"	94	6	47	14	97	12	54	21	107	7	49	16
91"	95	6	48	14	98	12	54	21	108	7	50	16

Units: cm

Screen size	16:10 WXGA				16:9 Widescreen				4:3 XGA			
	Projection distance (A) Minimum (Wide)	Vertical slide adjustment (B)	Distance from top of projected image to ceiling (C)	Distance from top of projected image to center of lens (D)	Projection distance (A) Minimum (Wide)	Vertical slide adjustment (B)	Distance from top of projected image to ceiling (C)	Distance from top of projected image to center of lens (D)	Projection distance (A) Minimum (Wide)	Vertical slide adjustment (B)	Distance from top of projected image to ceiling (C)	Distance from top of projected image to center of lens (D)
92"	96	6	48	15	99	12	54	21	109	7	50	16
93"	97	6	48	15	100	13	55	22	110	7	50	17
94"	98	6	48	15	101	13	55	22	111	7	50	17
95"	99	6	48	15	102	13	55	22	113	7	50	17
96"	100	6	48	15	103	13	55	22	114	7	51	17
97"	101	7	49	15	104	13	55	22	115	7	51	17
98"	102	7	49	16	105	13	56	23	116	7	51	18
99"	104	7	49	16	106	13	56	23	118	7	51	18
100"	105	7	49	16	108	13	56	23	119	7	51	18
101"	106	7	49	16	109	13	56	23	-	-	-	-
102"	107	7	49	16	110	14	57	24	-	-	-	-
103"	108	7	50	16	111	14	57	24	-	-	-	-
104"	109	7	50	16	112	14	57	24	-	-	-	-
105"	110	7	50	17	113	14	57	24	-	-	-	-
106"	111	7	50	17	114	14	58	25	-	-	-	-
107"	112	7	50	17	115	14	58	25	-	-	-	-
108"	113	7	51	17	116	14	58	25	-	-	-	-
109"	114	7	51	17	118	14	58	25	-	-	-	-
110"	115	7	51	17	119	14	58	25	-	-	-	-
111"	116	7	51	18	-	-	-	-	-	-	-	-
112"	118	7	51	18	-	-	-	-	-	-	-	-
113"	119	7	51	18	-	-	-	-	-	-	-	-

Screen size	Projection distance (A) Maximum (Tele)	Vertical slide adjustment (B)	Distance from top of projected image to ceiling (C)
16:10 WXGA*			
50"	70	0	51
84"	119	17	66
16:9 Widescreen*			
48"	69	5	45
82"	119	23	60
4:3 XGA*			
44"	69	0	51
74"	119	17	66

* Allow at least 1.4 cm space between the top of the image projected onto the whiteboard and the bottom of the wall plate.

10 XGA projectors: EB-530/EB-520 and others

Units: cm

Screen size	4:3 XGA				16:9 Widescreen				16:10 WXGA			
	Projection distance (A) Minimum (Wide)	Vertical slide adjustment (B)	Distance from top of projected image to ceiling (C)	Distance from top of projected image to center of lens (D)	Projection distance (A) Minimum (Wide)	Vertical slide adjustment (B)	Distance from top of projected image to ceiling (C)	Distance from top of projected image to center of lens (D)	Projection distance (A) Minimum (Wide)	Vertical slide adjustment (B)	Distance from top of projected image to ceiling (C)	Distance from top of projected image to center of lens (D)
58"	-	-	-	8	70	15	53	20	-	-	-	-
59"	-	-	-	8	71	16	54	21	-	-	-	-
60"	-	-	-	8	72	16	54	21	70	11	49	16
61"	-	-	-	8	74	16	55	21	72	12	50	17
62"	-	-	-	8	75	16	55	22	73	12	50	17
63"	70	2	41	8	76	16	55	22	74	12	50	17
64"	71	2	42	8	77	17	56	22	75	12	51	17
65"	72	2	42	8	79	17	56	23	76	12	51	18
66"	73	2	42	9	80	17	56	23	78	12	51	18
67"	74	2	42	9	81	17	57	23	79	13	51	18
68"	75	2	42	9	82	17	57	24	80	13	52	18
69"	77	2	42	9	84	18	57	24	81	13	52	19
70"	78	2	42	9	85	18	58	24	83	13	52	19
71"	79	2	43	9	86	18	58	25	84	13	52	19
72"	80	2	43	9	87	18	58	25	85	13	53	20
73"	81	2	43	9	89	19	59	25	86	13	53	20
74"	82	2	43	10	90	19	59	26	87	14	53	20
75"	83	2	43	10	91	19	60	26	89	14	54	20
76"	85	2	43	10	92	19	60	26	90	14	54	21
77"	86	2	43	10	94	19	60	27	91	14	54	21
78"	87	2	44	10	95	20	60	27	92	14	54	21
79"	88	2	44	10	96	20	60	28	94	14	55	21
80"	89	2	44	10	98	20	60	28	95	14	55	22
81"	90	2	44	10	99	20	60	28	96	15	55	22
82"	92	2	44	11	100	20	60	29	97	15	56	22
83"	93	2	44	11	101	21	60	29	98	15	56	23
84"	94	2	44	11	103	21	60	29	100	15	56	23
85"	95	2	45	11	104	21	60	30	101	15	56	23
86"	96	2	45	11	105	21	60	30	102	15	57	23
87"	97	2	45	11	106	21	60	30	103	16	57	24
88"	98	2	45	11	108	22	60	31	105	16	57	24

Units: cm

Screen size	4:3 XGA			16:9 Widescreen			16:10 WXGA			
	Projection distance (A) Minimum (Wide)	Vertical slide adjustment (B)	Distance from top of projected image to ceiling (C)	Projection distance (A) Minimum (Wide)	Vertical slide adjustment (B)	Distance from top of projected image to ceiling (C)	Projection distance (A) Minimum (Wide)	Vertical slide adjustment (B)	Distance from top of projected image to ceiling (C)	Distance from top of projected image to center of lens (D)
89"	100	2	45	109	22	60	106	16	57	24
90"	101	2	45	110	22	60	107	16	58	24
91"	102	2	45	111	22	60	108	16	58	25
92"	103	2	45	113	22	60	109	16	58	25
93"	104	2	46	114	23	60	111	16	59	25
94"	105	2	46	115	23	60	112	17	59	26
95"	107	2	46	116	23	60	113	17	59	26
96"	108	2	46	118	23	60	114	17	59	26
97"	109	2	46	119	23	60	116	17	60	26
98"	110	2	46	-	-	-	117	17	60	27
99"	111	2	46	-	-	-	118	17	60	27
100"	112	2	47	-	-	-	119	17	60	27
101"	114	2	47	-	-	-	-	-	-	-
102"	115	2	47	-	-	-	-	-	-	-
103"	116	2	47	-	-	-	-	-	-	-
104"	117	2	47	-	-	-	-	-	-	-
105"	118	2	47	-	-	-	-	-	-	-
106"	119	2	48	-	-	-	-	-	-	-

Screen size	Projection distance (A) Maximum (Tele)		Vertical slide adjustment (B)	Distance from top of projected image to ceiling (C)
	Screen size	Projection distance (A) Maximum (Tele)		
4:3 XGA *	46"	69	5	45
	78"	118	22	60
16:9 Widescreen **	43"	70	5	45
	72"	119	23	60
16:10 WXGA **	44"	70	0	50
	74"	119	18	65

* Allow at least 5 cm space between the top of the image projected onto the whiteboard and the bottom of the wall plate.

** Allow at least 20 cm space between the top of the image projected onto the whiteboard and the bottom of the wall plate.

Assembly and Installation

Make sure you follow the instructions below to install the wall mount. Otherwise, the wall mount may fall and result in personal injury or property damage.

Warning

- ❑ When you mount the projector on the wall with the wall mount, the wall requires enough strength to hold the projector, the wall mount, and cables. This wall mount should be installed on a concrete wall. Confirm the weight of the projector, the wall mount, and cables before installation, and maintain the strength of the wall. If the wall is not strong enough, reinforce the wall before installation.
- ❑ Before starting the installation, carefully check the construction, material, and strength of the wall.
- ❑ Install the mount firmly to hold the weight of the projector and the mount, and to resist horizontal vibration. Use M8 nuts and bolts. Nuts and bolts smaller than M8 could cause the mount to fall.
- ❑ Epson accepts no responsibility for any damage or injury caused by lack of wall strength or inadequate installation.



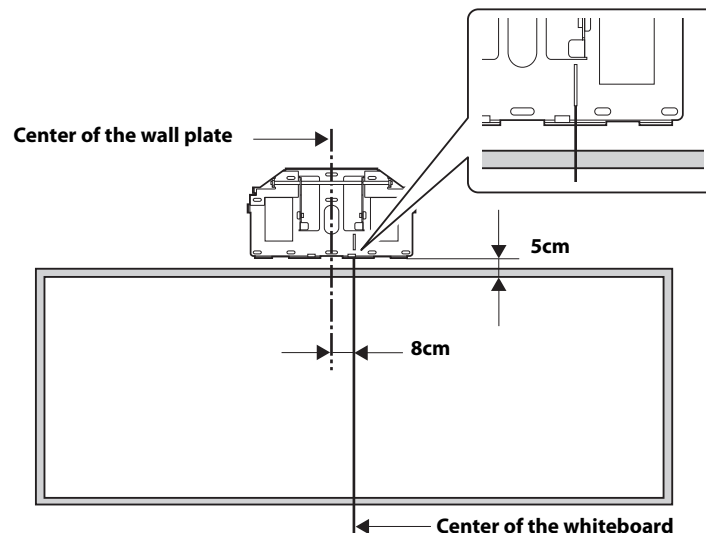
At the point where the wall mount is installed, make sure there is a gap of 410 to 660 mm from the top of the image projected onto the white board to the ceiling. See "Screen Size and Projection Distance" on page 7 for more details.

1. Installing the wall plate

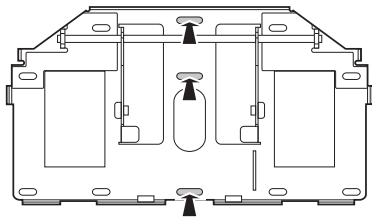
- 1) Check the position where you want to install the wall plate, and then mark that position on the wall.

Attach the wall plate so that the center of the whiteboard and the marked gauge line of the wall plate are on the same line as shown in the following illustration. Allow at least 5 cm space between the top of the image projected onto the whiteboard and the bottom of the wall plate. However, if you are using minimum zoom (tele), refer to the tables on the previous pages.

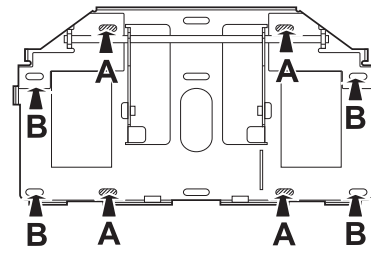
After installing, you can slide the projector horizontally 4.5 cm by using the slider on the adjustment unit. See step 10. on page 18 for more details.



- 2) Position the wall plate over the marks you made in step 1, and then mark the points where the wall plate will be secured as shown in the following illustration.
 Insert the anchors into at least three points. If you insert at four points, use the four point As or four point Bs as shown below.



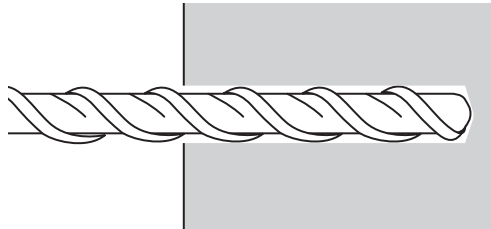
For 3 points



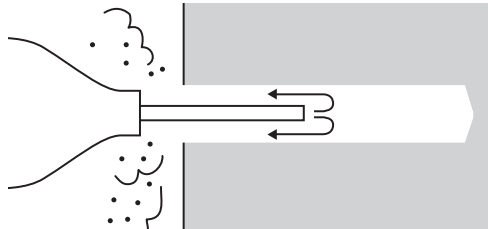
For 4 points

- 3) Drill holes of the following diameters and depths at the points you marked.

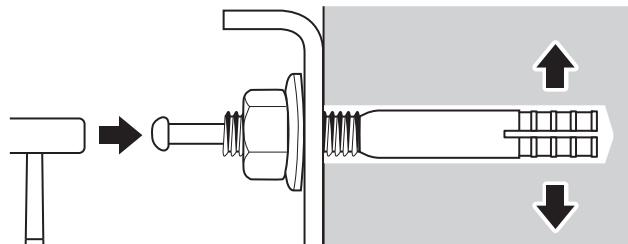
Drill diameter	8.5 mm
Pilot hole depth	40 mm
Anchor hole depth	35 mm



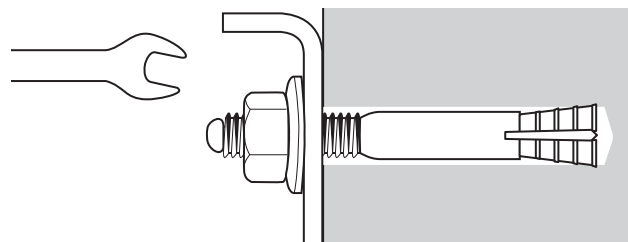
- 4) Use a device such as a dust pump to clean out concrete dust from the hole.



- 5) Position the wall plate on the wall and insert M8 x 60 mm expansion anchors into the holes. Attach the nut and tap it with a hammer until the core touches the top of the anchor.

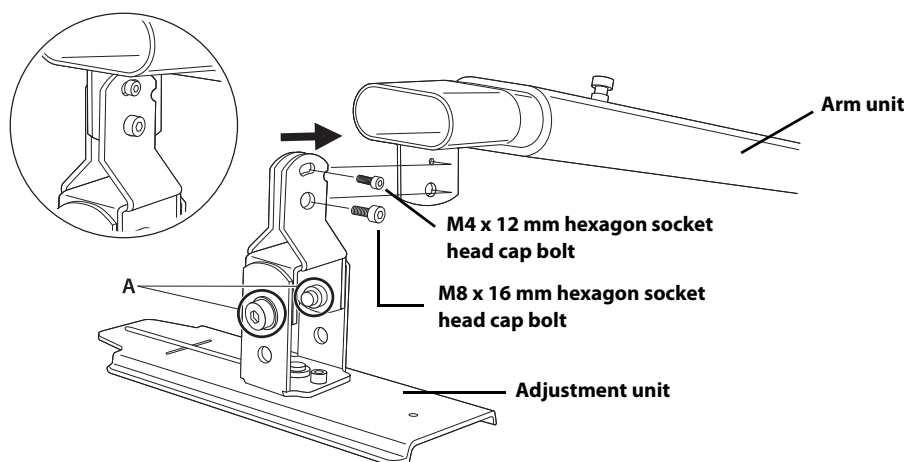


- 6) Tighten the nut with a spanner to secure the wall plate to the wall.



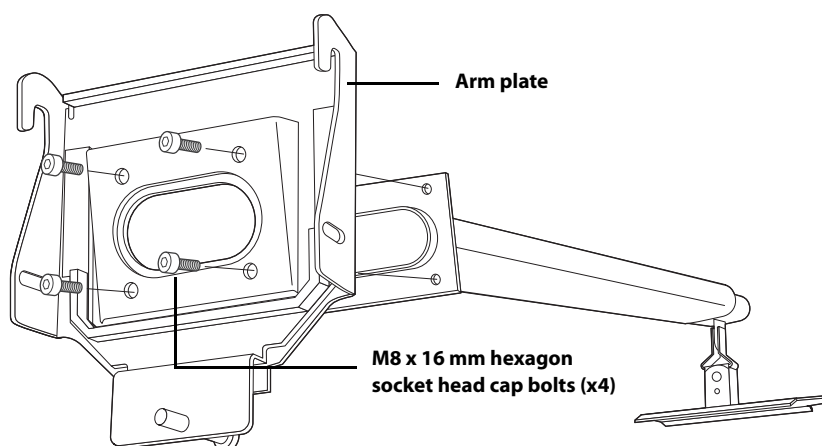
2. Assembling the wall mount

- 1) Attach the adjustment unit to the arm unit.
- 2) Secure temporarily using the hexagonal wrenches (M4 and M8) and M4 x 12 mm hexagon socket head cap bolt and M8 x 16 mm hexagon socket head cap bolt.

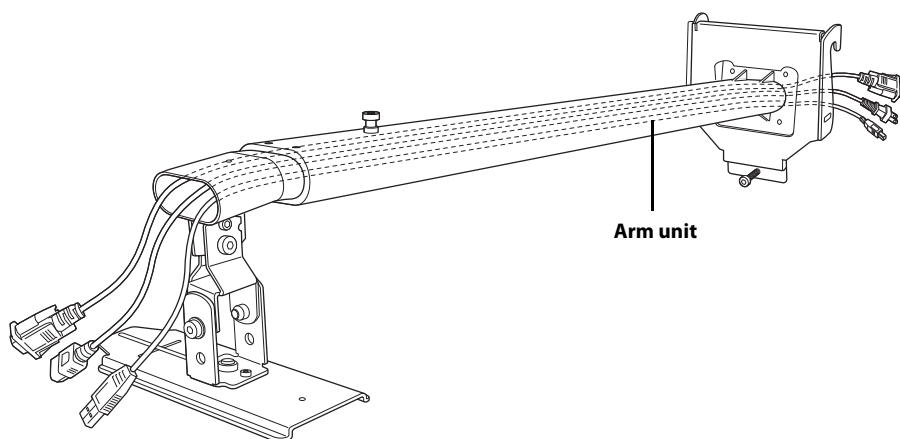


Except when using EB-536Wi/535W/525W/530/520 projectors, the positions for screw A differs. Contact your local dealer for more details.

- 3) Attach the arm plate using a hexagonal wrench (M8) and four M8 x 16 mm hexagon socket head cap bolts.



3. Routing the cables through the arm unit

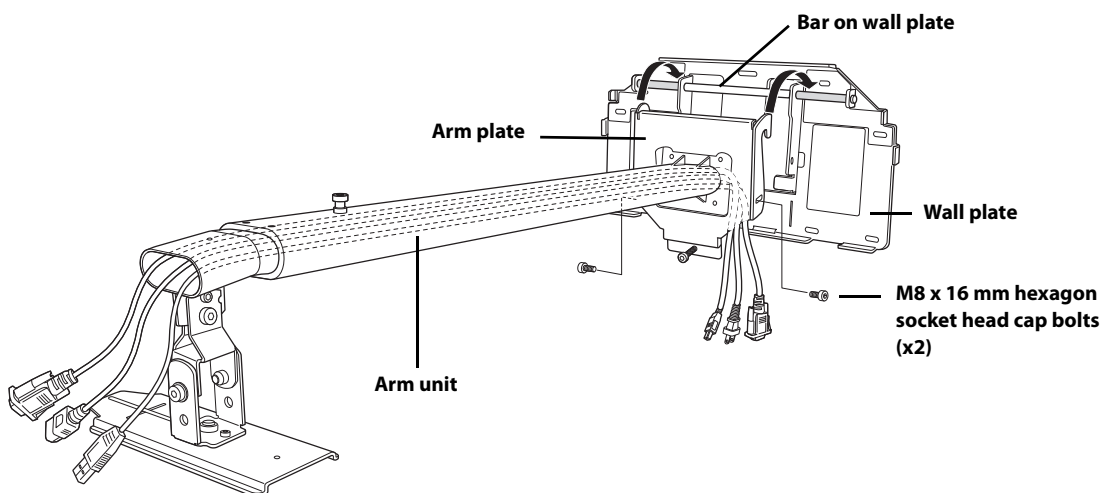


Caution

Problems may occur if you use this product without routing the cables through the arm unit.

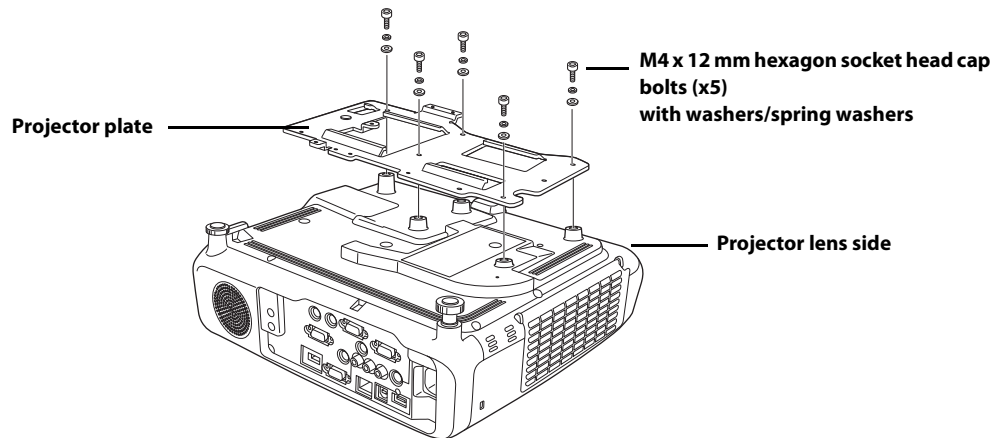
4. Attaching the arm unit to the wall plate

- 1) Attach the hook on the arm plate to the bar on the wall plate. Be careful not to pinch cables between the arm plate and the wall plate.
- 2) Secure the arm plate temporarily using two M8 x 16 mm hexagon socket head cap bolts.



5. Attaching the projector plate to the projector

- 1) Place the projector upside down.
- 2) Attach the projector plate to the projector using the hexagonal wrench (M4) and five M4 x 12 mm bolts with washers/spring washers.



Warning

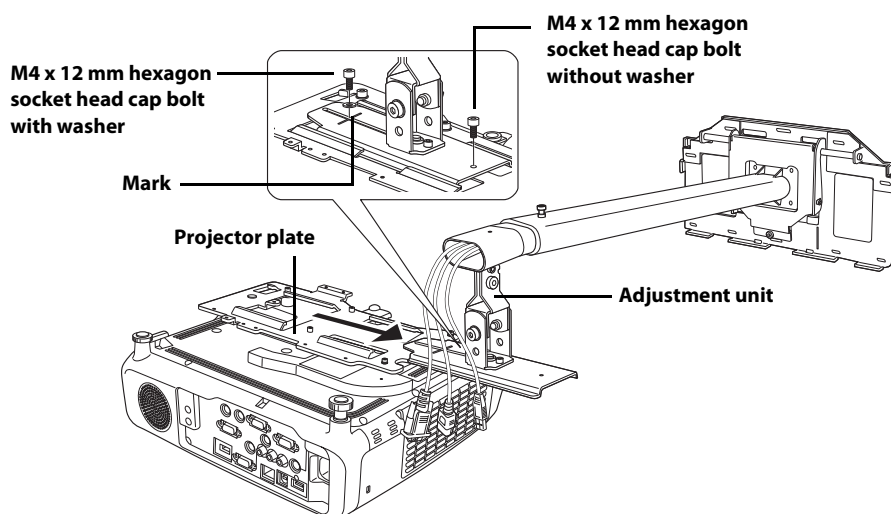
If you apply adhesives to prevent the screws from loosening, or if you use lubricants or oils on the wall mount plate fixing points, the housing may crack and cause the projector to fall, resulting in personal injury or property damage. Do not use adhesives, lubricants or oils to install or adjust the mount.



Tighten the screws firmly.

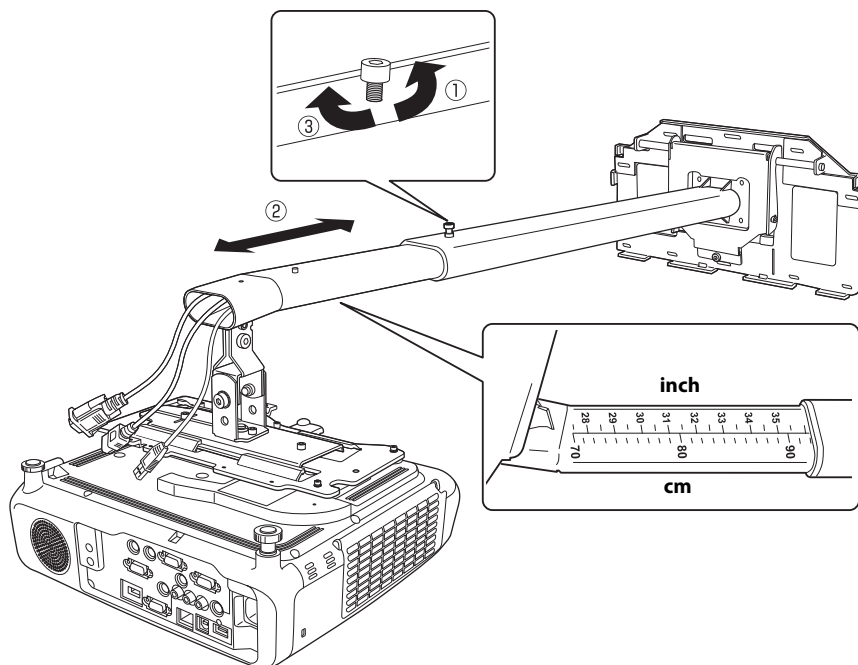
6. Attaching the projector to the adjustment unit

- 1) Slide the projector plate onto the adjustment unit as shown below.
- 2) Secure the adjustment unit temporarily at the points marked using two M4 x 12 mm hexagon socket head cap bolts as shown below.



7. Extending the arm, adjusting the length, and securing temporarily

- 1) Loosen the screw on the arm.(①)
- 2) Adjust the length of the arm using the measure on the bottom to match the projection distance recommended in "Screen Size and Projection Distance" on page 7.(②)
- 3) After adjusting the length, secure the arm position temporarily by tightening the screw on top.(③)

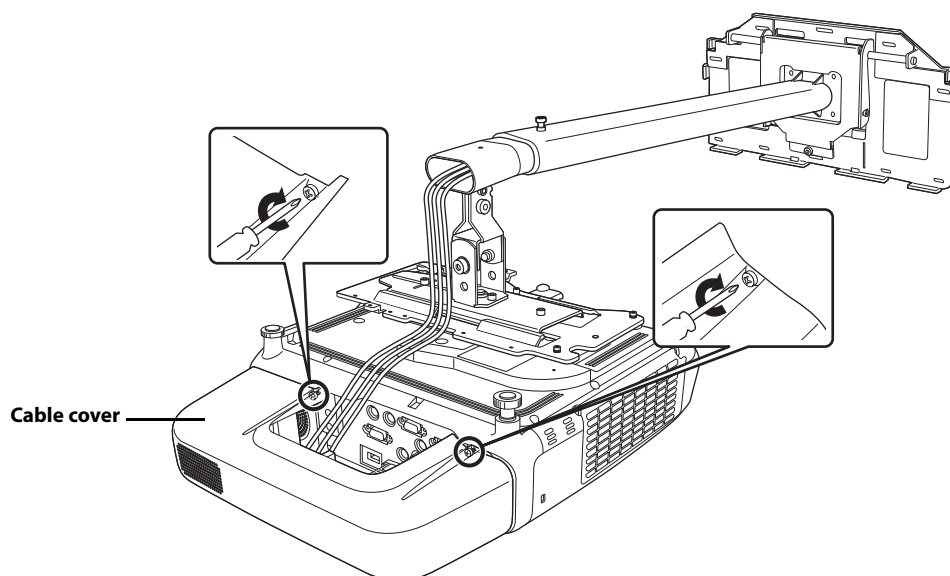


8. Connecting the cables

Connect the power cord and other cables to the projector.

9. Attaching the cable cover

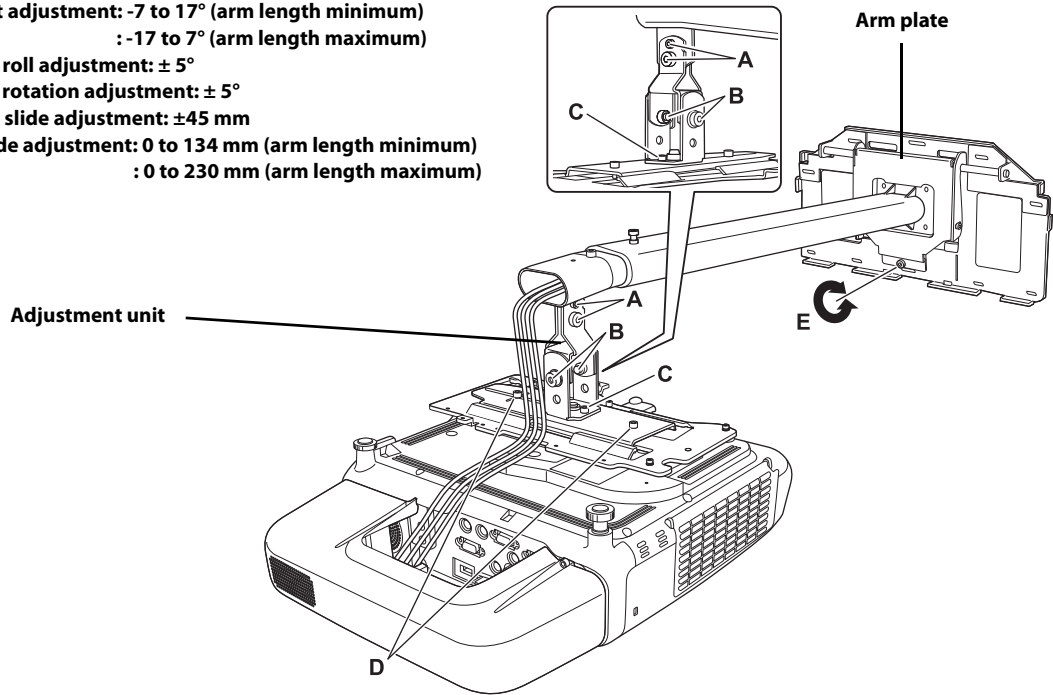
Take up the cable slack, and then secure the cable cover with the screws as shown below.



10. Turning on the projector and checking the screen

- 1) Plug in the projector.
- 2) Turn on the projector.
- 3) Adjust the vertical slide (arm angle) using screw (E) on the bottom of the arm plate. The arm rises when you tighten the screw, and lowers when you loosen it.
- 4) Loosen the screws (A, B, C, D) on the adjustment unit, and adjust the position of the projection screen while changing the direction and position of the projector.

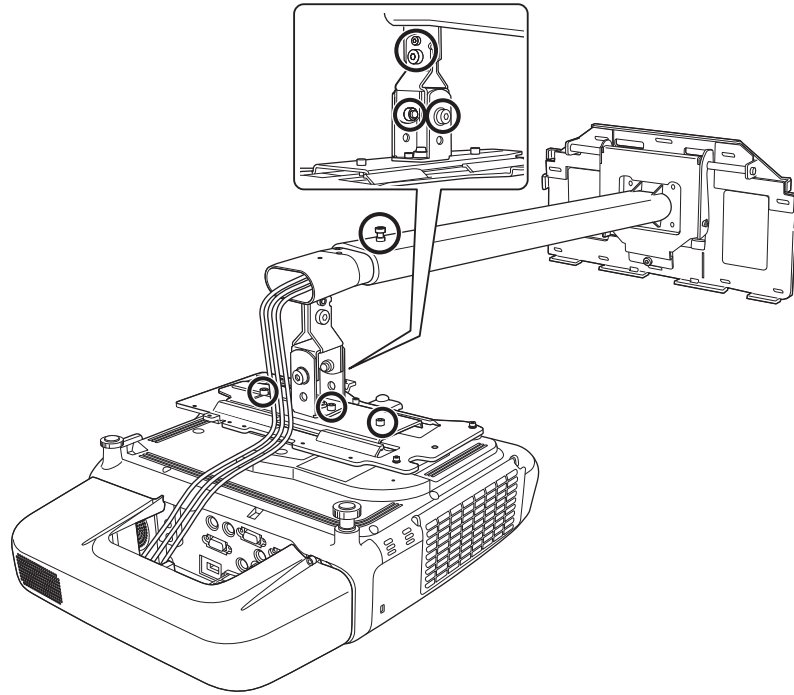
- A: Vertical tilt adjustment: -7 to 17° (arm length minimum)
: -17 to 7° (arm length maximum)**
B: Horizontal roll adjustment: ± 5°
C: Horizontal rotation adjustment: ± 5°
D: Horizontal slide adjustment: ±45 mm
**E: Vertical slide adjustment: 0 to 134 mm (arm length minimum)
: 0 to 230 mm (arm length maximum)**



- 5) Firmly tighten the screws on the arm unit and adjustment unit using the hexagonal wrenches (M4 and M8).

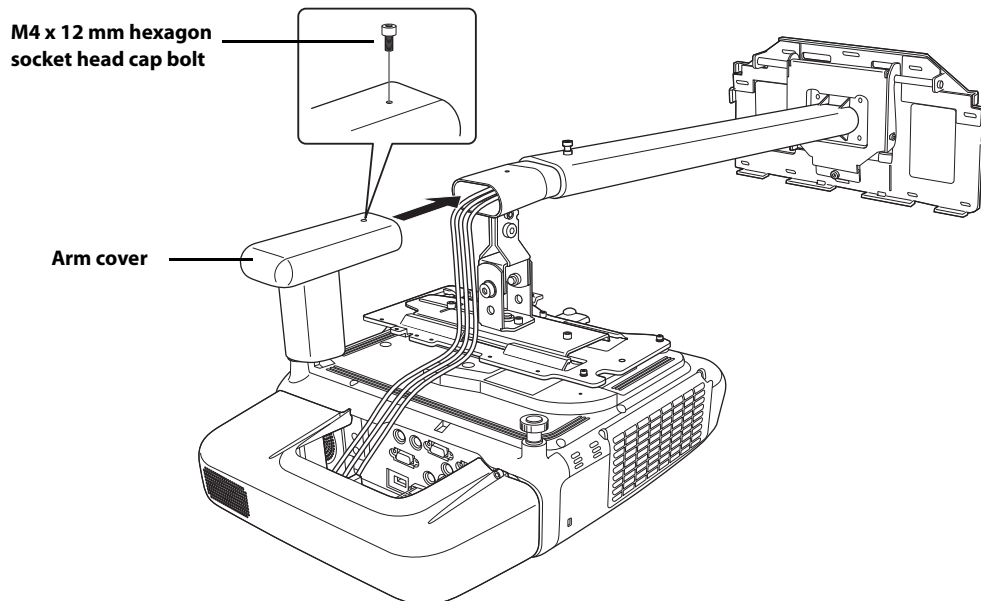
Warning

Tighten all screws firmly. Otherwise, the projector or wall mount may fall and cause personal injury or property damage.



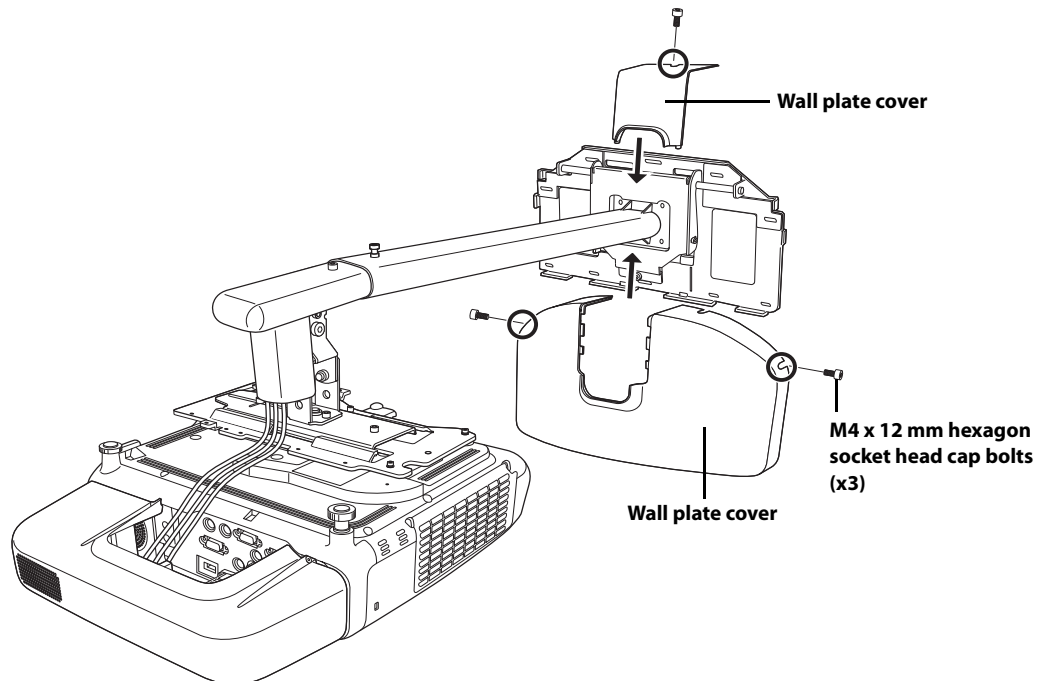
11. Attaching the arm cover

Secure the arm cover with a hexagonal wrench (M4) and an M4 x 12 mm hexagon socket head cap bolt.



12. Attaching the wall plate cover

Secure the wall plate cover with a hexagonal wrench (M4) and three M4 x 12 mm hexagon socket head cap bolts.



When cutting the thin section of the wall plate cover and passing the cables through, make sure you perform deburring to smooth off any sharp edges to prevent damaging the cables.

Installation, removal, and servicing of the projector should only be performed by a qualified technician. See the *User's Guide* included with your projector for information about maintenance and repairs.

Warning

- Never loosen the bolts and nuts after installation. Confirm on a regular basis that the screws have not become loose. If you find any loose screws, tighten them firmly. Otherwise, the projector or wall mount may fall and cause personal injury or property damage.
- Do not hang on the mount or hang a heavy object on it. If the mount or the projector falls, it could cause personal injury or property damage.